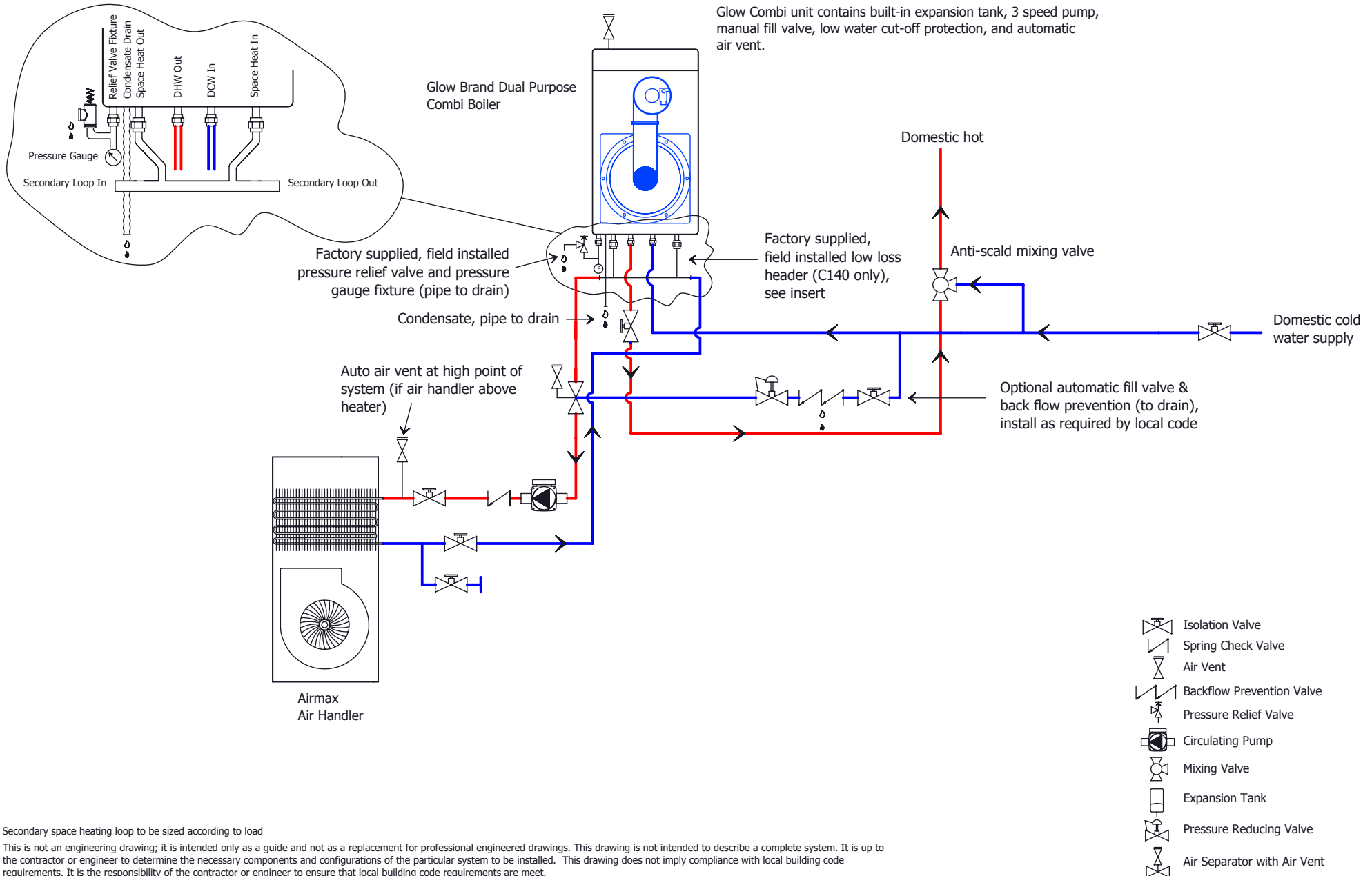


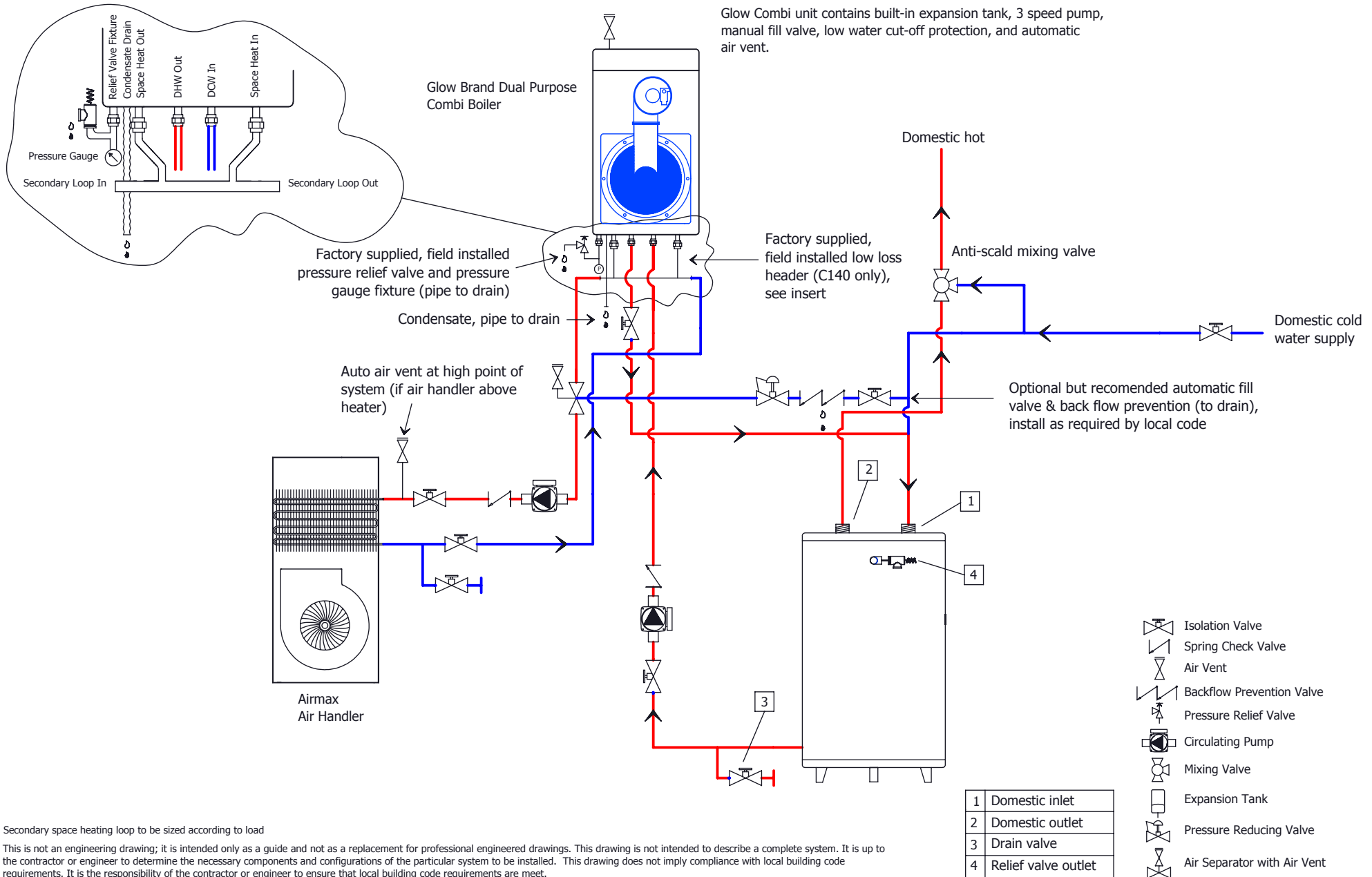
Suggested Piping Layout for Glow Combi Boiler (C95, C140 Series) with Secondary Pump & Airmax Fan Coil



Secondary space heating loop to be sized according to load

This is not an engineering drawing; it is intended only as a guide and not as a replacement for professional engineered drawings. This drawing is not intended to describe a complete system. It is up to the contractor or engineer to determine the necessary components and configurations of the particular system to be installed. This drawing does not imply compliance with local building code requirements. It is the responsibility of the contractor or engineer to ensure that local building code requirements are met.

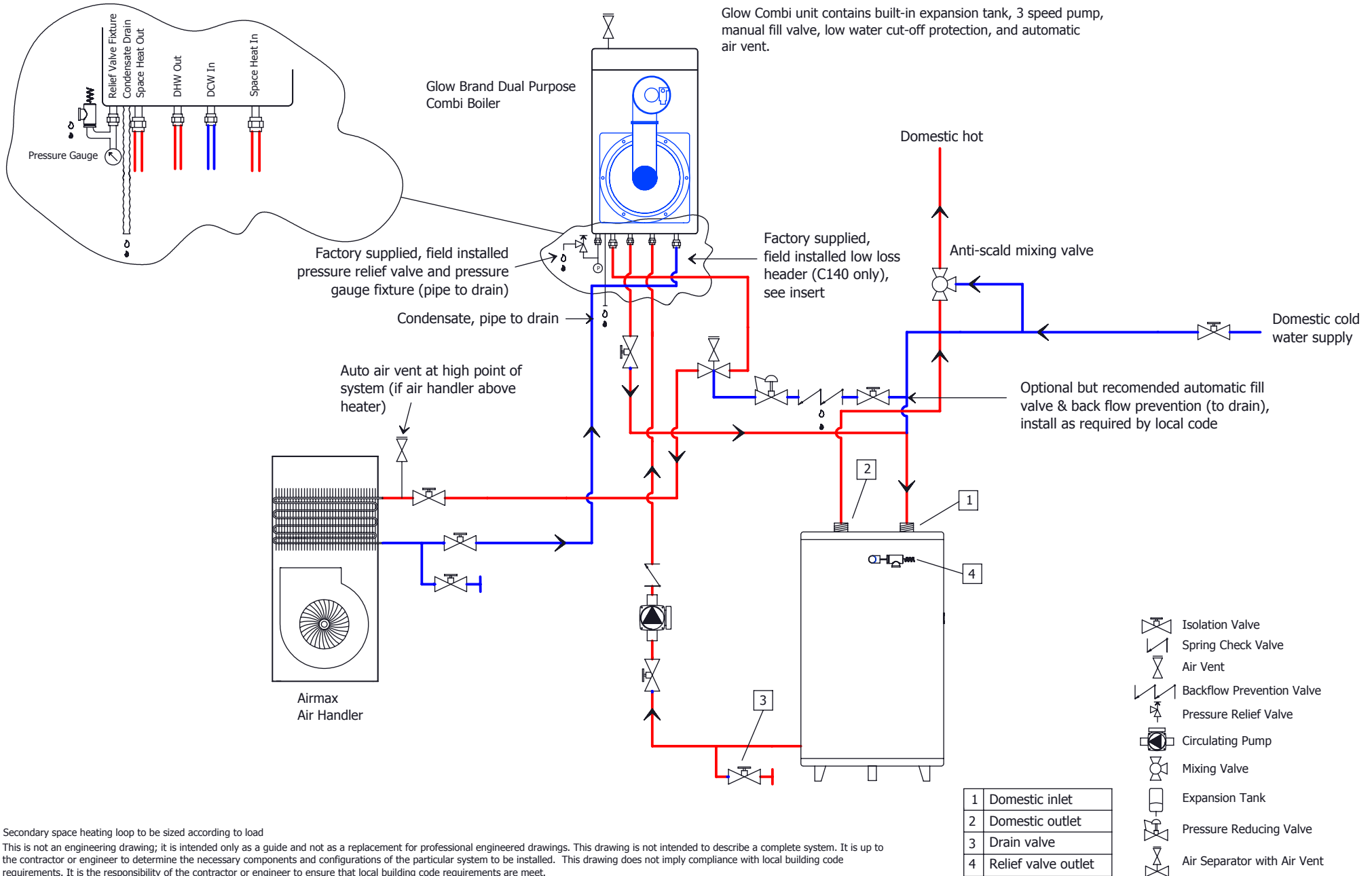
Suggested Piping Layout for Glow Combi Boiler (C95, C140 Series) with Secondary Pump, Airmax Fan Coil, & Storage Tank



Secondary space heating loop to be sized according to load

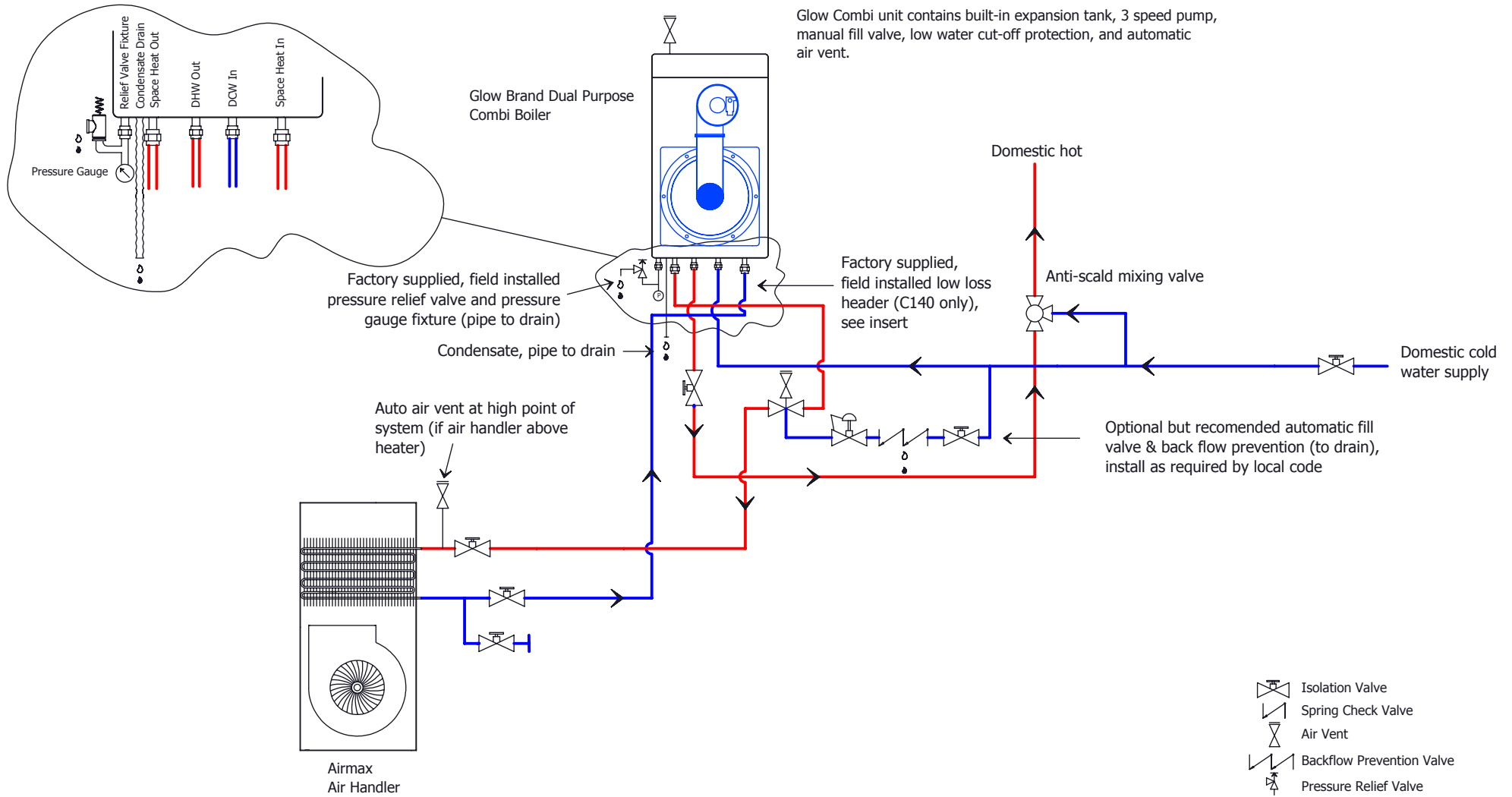
This is not an engineering drawing; it is intended only as a guide and not as a replacement for professional engineered drawings. This drawing is not intended to describe a complete system. It is up to the contractor or engineer to determine the necessary components and configurations of the particular system to be installed. This drawing does not imply compliance with local building code requirements. It is the responsibility of the contractor or engineer to ensure that local building code requirements are met.

Suggested Piping Layout for Glow Combi Boiler (C95 Series), Airmax Fan Coil, & Storage Tank



Secondary space heating loop to be sized according to load
 This is not an engineering drawing; it is intended only as a guide and not as a replacement for professional engineered drawings. This drawing is not intended to describe a complete system. It is up to the contractor or engineer to determine the necessary components and configurations of the particular system to be installed. This drawing does not imply compliance with local building code requirements. It is the responsibility of the contractor or engineer to ensure that local building code requirements are met.

Suggested Piping Layout for Glow Combi Boiler (C95 Series) & Airmax Fan Coil



Secondary space heating loop to be sized according to load

This is not an engineering drawing; it is intended only as a guide and not as a replacement for professional engineered drawings. This drawing is not intended to describe a complete system. It is up to the contractor or engineer to determine the necessary components and configurations of the particular system to be installed. This drawing does not imply compliance with local building code requirements. It is the responsibility of the contractor or engineer to ensure that local building code requirements are met.

- Isolation Valve
- Spring Check Valve
- Air Vent
- Backflow Prevention Valve
- Pressure Relief Valve
- Circulating Pump
- Mixing Valve
- Expansion Tank
- Pressure Reducing Valve
- Air Separator with Air Vent