



Glow

Brand™

SUBMITTAL DATA SHEET

Job Name:		Contractor:				
Location:		Distributor:				
Engineer:		Date:				
Submitted To:		Model No:	B85 NG	B120 NG	B160 NG	B160 LP
Schedule ID:		Unit Quantity:				

Specification	B85 (NG)	B120 (NG)	B160 (NG)	B160 (LP)
Central Heating Input – Min MBH (KW)	9.6 (2.8)	13 (3.8)	16.2 (4.7)	18.5 (5.4)
Central Heating Input – Max MBH (KW)	87.8 (25.7)	121.2 (35.5)	162.5 (47.6)	165.9 (48.6)
DOE Heating Capacity – Max MBH (KW)	79.3 (23.2)	111.9 (32.8)	148.2 (43.4)	147.8 (43.3)
A.F.U.E	95%	95%	95%	95%
Min Gas Pressure – inch w.c.	3.5	3.5	3.5	8
Max Gas Pressure – inch w.c.	10.5	10.5	10.5	13
Power (120Vac/60Hz) - Watts @ full fire not including pump(s)	50	55	92	92
Min Operating Pressure – Space Heating - psig	10	10	10	10
Max Operating Pressure – Space Heating - psig	30	30	30	30
Min water Temperature - Space Heating - °F (°C)	95 (35)	95 (35)	95 (35)	95 (35)
Max water Temperature – Space Heating - °F (°C) ¹	171 (77)	171 (77)	171 (77)	171 (77)
Min waterflow requirement through Heat Exchanger (gpm)	3	6	7	7
Max equivalent vent length 2" (each side) - ft	100	40	40	40
Max equivalent vent length 3" (each side)- ft	125	125	125	125
Vent/Air-Intake Pipe Diameter, inches (mm)	2 (51) or 3 (76)			
CH Water Connections - NPT, in.	3/4			
Gas Connection - NPT, in.	3/4			
Dimensions H x W x D - inches (mm)	31.2 x 16.9 x 14.0 (793 x 430 x356)	31.2 x 16.9 x 18.0 (793 x 430 x 457)		
Weight (empty) – lbs (Kg)	90 (41)	110 (50)		

¹ The CH supply temperature is limited to 140°F(60°C). For CH supply temperatures greater than 140°F(60°C) refer to Section 4.5.2 Exhaust Vent Material and Section 11.7- CH Modes in the Installation & Operation Manual.

FEATURES

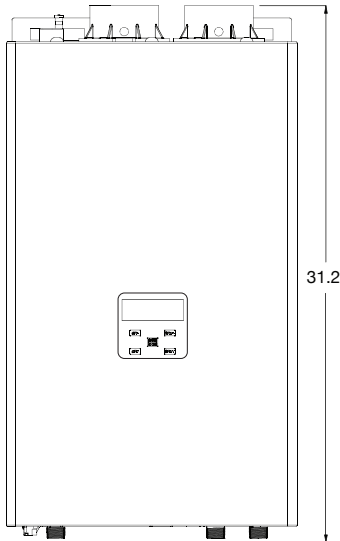
95% AFUE, ASME Stainless Steel Heat Exchanger and Burner, Fully Modulating 10:1 Turn Down Ratio, PVC Venting up to 100 feet

SUPPLIED ACCESSORIES

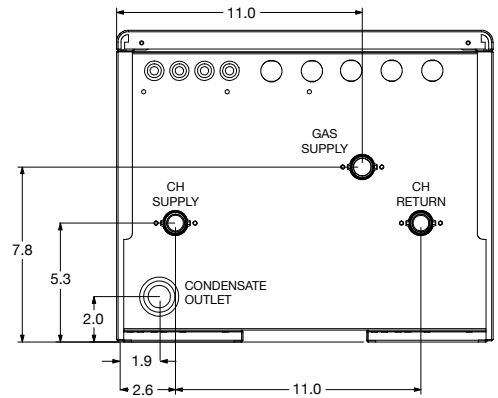
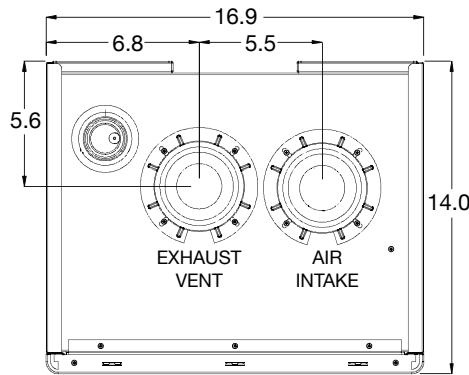
Pressure Safety Relief Valve, Birdscreens, Condensate Connection Adapter & Pressure Relief Assembly

OPTIONAL ACCESSORIES

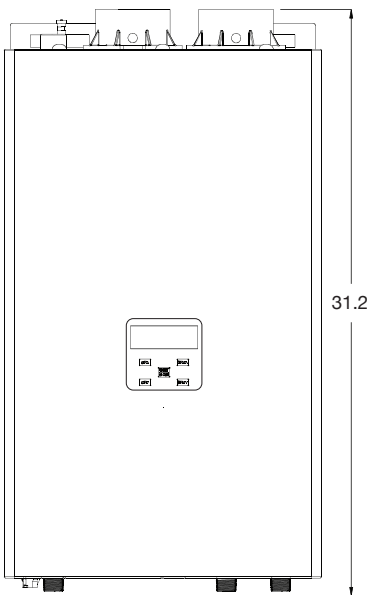
Quantity	PART No	Description
	CB-170	Low Water Cut Off Sensor
	CB-168	Outdoor Temperature Sensor
	CB-173	Storage Tank Sensor
	CB-260	Relay (120 Vac SPDT 10 amp)
	F1-EXP	Rust Inhibitor
	CB-140-203	B85 & B140 Primary Loop Pump
	96806141	1/2" Sweat Connection kit w/check valve (for use with CB-140-203)
	9680643	3/4" Sweat Connection kit w/check valve (for use with CB-140-203)
	CB-140-303	B160 Primary Loop Pump
	519601	3/4" NPT Cast Iron Flange Set (for use with CB-140-303)
	519602	1" NPT Cast Iron Flange Set (for use with CB-140-303)



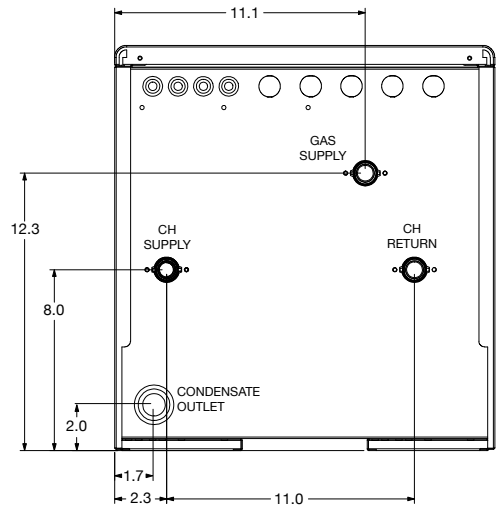
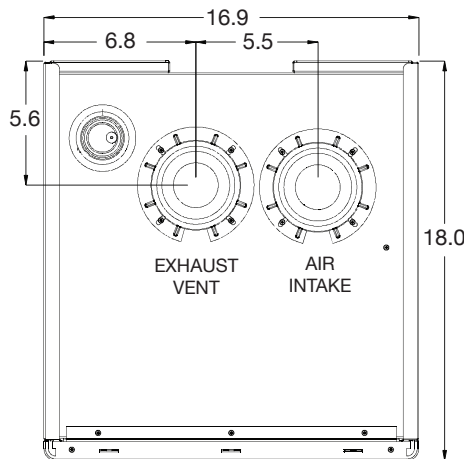
Glow B85 Dimensions



LEGEND	
Gas Supply	3/4" NPT
CH Supply	3/4" NPT
CH Return	3/4" NPT
Condensate Outlet	3/4" I.D.



Glow B120 & B160 Dimensions



Notes: