



## ENDLESS ON-DEMAND HOT WATER



### Glow Brand T180 Tankless Condensing Water Heater

Tankless water heaters are the future of hot water supply. They save energy, take up less space, and offer an endless supply of hot water. At an ultra-efficient Energy Factor of 97%, the future is now with the ENERGY STAR®-approved Glow Brand T180. The only system of its kind, the Glow Brand T180 has **on board storage of one gallon of hot water** within a stainless steel heat exchanger, firing up automatically to 95F in Comfort Mode. Instead of waiting for hot water, you're treated to endless on-demand hot water. The Glow Brand T180 is fully modulating and can be installed for combination space heating applications.

**ONE-OF-A-KIND TECHNOLOGY**  
**97% ENERGY FACTOR**  
**95% UNIFIED ENERGY FACTOR**  
**5 USG @ 77 F RISE**  
**10 TO 1 MODULATION**  
**PVC VENTING UP TO 100FT**  
**CANADIAN MADE** 

Manufactured by Glowbrand Manufacturing





## Glow T180

### Natural

### Propane

MAX. HEAT INPUT	Btuh (kW)	194,000	194,000
MIN. HEAT INPUT	Btuh (kW)	20,500	20,500
ENERGY FACTOR	EF	97%	95%
UNIFIED ENERGY FACTOR	UEF	95%	93%

## Dimensions (casing size)

WIDTH	In (mm)	16 3/4 (425)
HEIGHT	In (mm)	24 3/8 (619)
DEPTH	In (mm)	17 1/4 (438)
WEIGHT (NET)	Lbs (Kg)	86 (39)

## Domestic Hot Water

HOT WATER TEMP. SETTING	°F (°C)	102-160 (39-71)
DHW FLOW AT ΔT 35°F	GPM (LPM)	10.7 (40.2)
DHW FLOW AT ΔT 45°F	GPM (LPM)	8.4 (31.8)
DHW FLOW AT ΔT 72°F	GPM (LPM)	5.2 (19.7)
DHW FLOW AT ΔT 77°F	GPM (LPM)	4.9 (18.6)
MIN. FLOW RATE	GPM (LPM)	0.6 (2.27)

## Connections

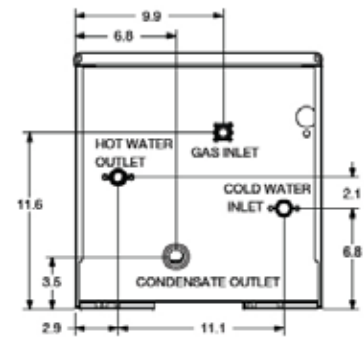
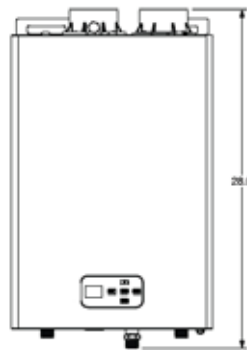
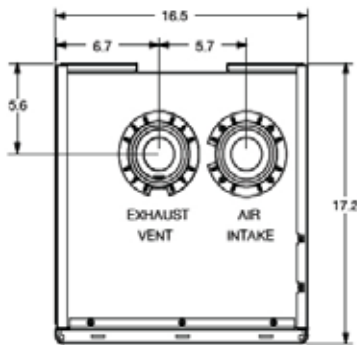
COLD WATER IN	NPT	3/4"
HOT WATER OUT	NPT	3/4"
GAS INLET CONNECTION	NPT	3/4"

## Venting

EXHAUST	PVC, CPVC	2, 2½, 3 in
---------	-----------	-------------

## Electrical Specification

POWER SUPPLY	V/Hz	120/60
ELECTRICAL POWER CONSUMPTION	W	119



\*Suitable for combination water (potable) heating and space heating and not suitable for space heating only.

## Cooler Climates

40° F Incoming Groundwater Temperature

### T180

3 Showers



## Warmer Climates

70° F Incoming Groundwater Temperature

### T180

4 Showers



- 97 Energy Factor
- 10 to 1 Modulation

- ECM Fan Motor
- 102-160°F Degree temp. range

- Stainless Steel Heat Exchanger
- 3" PVC/CPVC venting up to 100ft

- 10 Year Heat Exchanger Warranty
- 5 Yr Parts Warranty (Limitations Apply)